

The Bayfield™ GDS25 Cast Iron Direct Vent Gas Stove

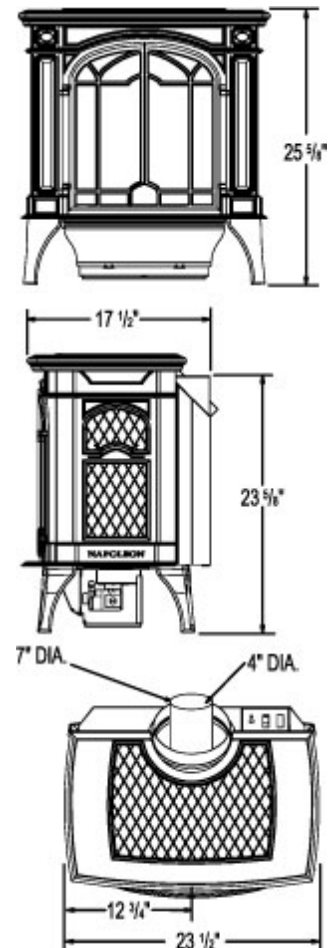
| Features | Manual | Accessories

Specifications	GDS25
Fuel	Natural Gas Propane
BTU Input	
Natural Gas	24,500
Propane	23,000
BTU Output	
Natural Gas	19,600
Propane	18,400
Maximum Heating Efficiency (Steady State)	
Natural Gas	80%
Propane	
Maximum Heating Efficiency (AFUE)	
Natural Gas	77%
Propane	

Additional Information

- Approved with Duravent, Amerivent, Direct Temp, as well as Wolf Steel vent components and installs safely on any floor, but not directly on carpet.
- Vents up to 20ft horizontally and 40 ft vertically
- Direct vent model requires no chimney, it vents conveniently through a wall or roof and uses outside air for combustion
- Approved for bathroom, bedroom, bed-sitting room and basement installations
- Suitable for mobile home installation

**TESTED TO ANSI Z21.88 and CSA 2.33
VENTED GAS FIREPLACE HEATER STANDARD**

Dimensions

Line dimensions are to be used as a guide only. Please consult your installation manual for updated and precise measurements before proceeding to install or frame your Napoleon Fireplace. Check all Local and National Building Codes and Gas Regulations