

BGD48N Direct Vent Gas Fireplace

| Features | Manual

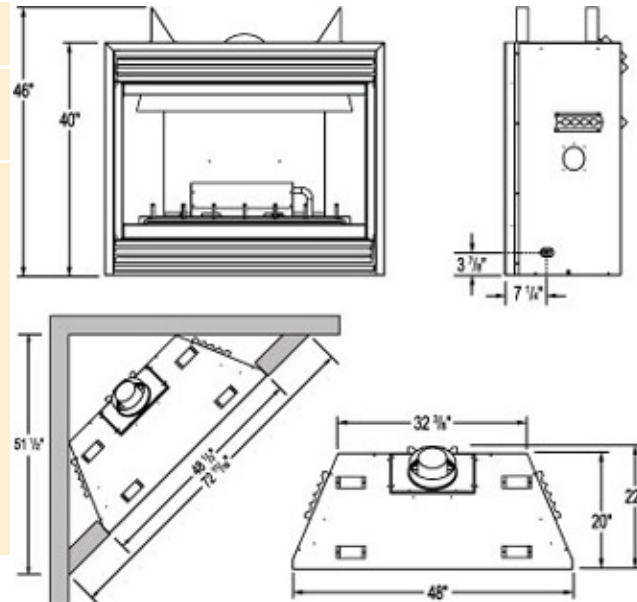
Specifications	BGD48
Fuel	Natural Gas Propane
BTU Input Natural Gas Propane	36,000 36,000

Additional Information

- 5" and 8" 45° venting
- No hearth extension required, saving on space in smaller rooms
- Approved for installations in bedrooms, bathrooms and bed sitting rooms
- Zero clearance to combustibles
- Hot air distribution kit
- vents up to 40' vertically or 20' horizontally

TESTED TO THE HEATING STANDARD
ANSI Z21.88 and CSA 2.33

Dimensions



Line dimensions are to be used as a guide only. Please consult your installation manual for updated and precise measurements before proceeding to install or frame your Napoleon Fireplaces. Check all Local and National Building Codes and Gas Regulations

