

# BGD36CF Direct Vent Gas Fireplace

Features | Manual

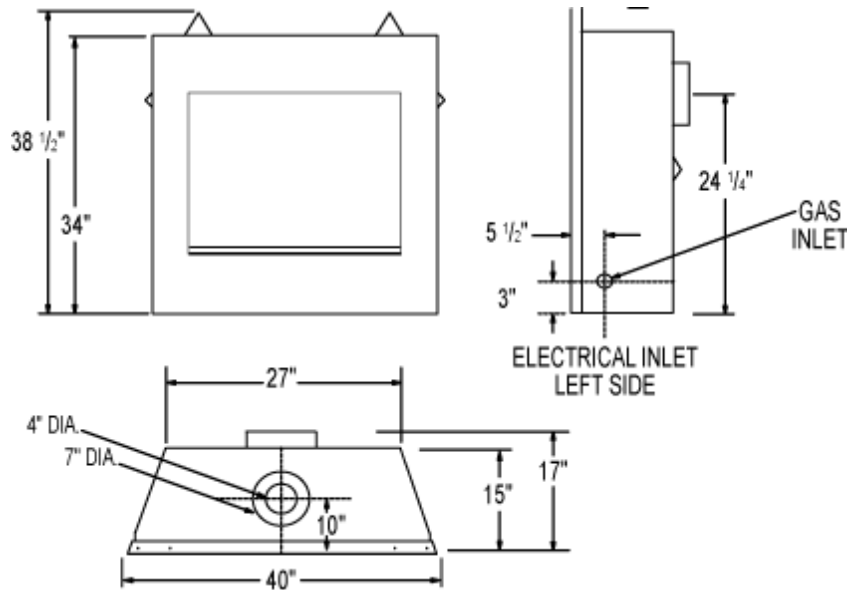
Specifications	BGD36CF
Fuel	Natural Gas Propane
BTU Input	
Natural Gas	17,000
Propane	17,000
Max BTU Output	
Natural Gas	10,900
Propane	10,900
Maximum Heating Efficiency (Steady State)	
Natural Gas	64%
Propane	64%
Maximum Heating Efficiency (AFUE)	
Natural Gas	53%
Propane	53%

### Additional Information

- Overall depth of 17"
- No hearth extension required, saving you space in smaller rooms
- No chimney required - vents through the wall or roof
- Ground level and above installations
- Basement installations even below grade using a Periscope (#GD201)
- Approved for installation in bathrooms, bedrooms and bed-sitting rooms
- Suitable for mobile home installations
- Hot air distribution kit optional
- Top vent 40ft vertically or 20ft horizontally

TESTED TO ANSI Z21.88 and CSA 2.33

### Dimensions



Line dimensions are to be used as a guide only. Please consult your installation manual for updated and precise measurements before proceeding to install or frame your Napoleon Fireplaces. Check all Local and National Building Codes and Gas Regulations

