

BGD34NT Direct Vent Gas Fireplace

[Features](#) | [Manual](#)

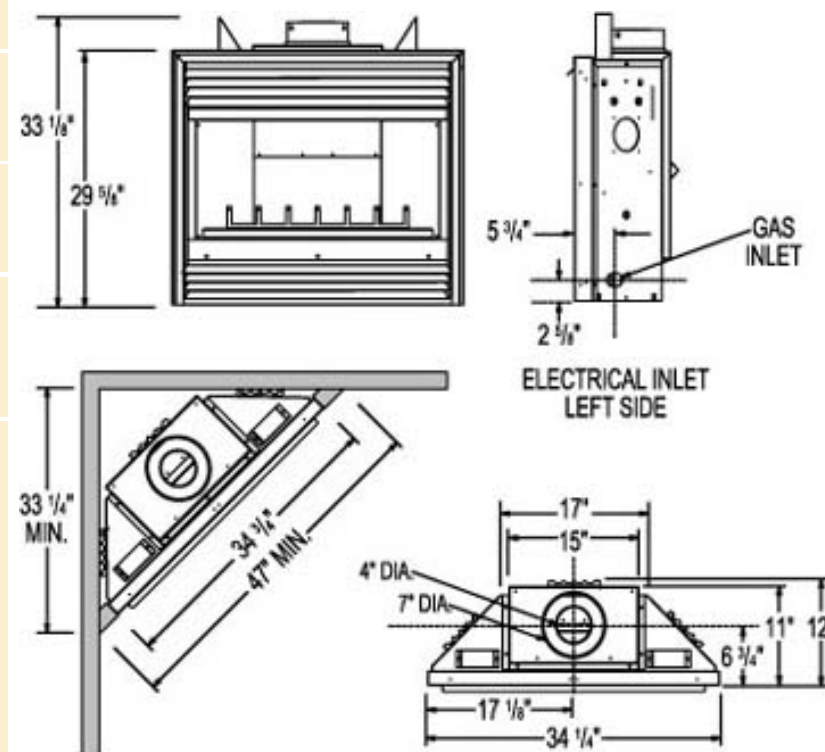
Specifications	BGD34NT
Fuel	Natural Gas Propane
BTU Input	
Natural Gas	16,400
Propane	16,400
BTU Output	
Natural Gas	12,800
Propane	12,800
Maximum Heating Efficiency (Steady State)	
Natural Gas	78%
Propane	78%

Additional Information

- Overall depth of 12" makes endless installation possibilities with a minimum of space
- No hearth extension required, saving you space in smaller rooms
- No chimney required - vents through the wall or roof
- Ground level and above
- Basement even below grade using a Periscope (#GD201)
- Approved for installation in bathrooms, bedrooms and bed-sitting rooms
- Suitable for mobile home installations
- Hot air distribution kit optional
- Approved with Simpson Dura-Vent Direct Vent Pipe

TESTED TO CSA 2.33 and ANSI Z21.88

Dimensions



Line dimensions are to be used as a guide only. Please consult your installation manual for updated and precise measurements before proceeding to install or frame your Napoleon Fireplaces. Check all Local and National Building Codes and Gas Regulations

